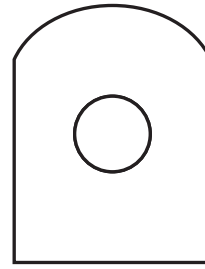
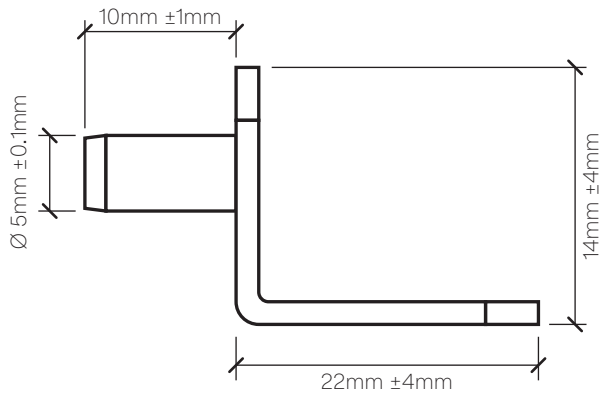


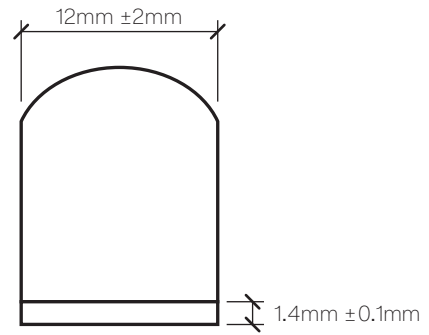
1 PLAN: TOP
SCALE: 2:1



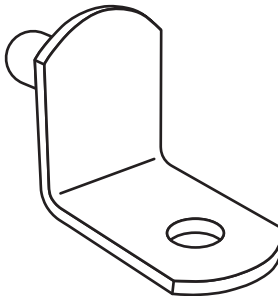
3 ELEVATION: BACK
SCALE: 2:1



2 ELEVATION: SIDE
SCALE: 2:1



4 ELEVATION: FRONT
SCALE: 2:1



5 ORTHOGRAPHIC
NOT TO SCALE



APPROVALS

DESIGN:	AWI TC
DRAWING:	JW
REVIEW:	CD
REVISION:	RC
FINAL:	DH

AWI National Testing Center

1310 Southerfield Rd.
Americus, GA 31709

TITLE		SHELF SUPPORT, STEEL RIGHT-ANGLE, 5mm PIN					
QTY.	-	SIZE	8½" x 11"	DWG. NO.	SS-1.1	REV.	1.3
SCALE	AS NOTED	SHEET		1 OF 1			