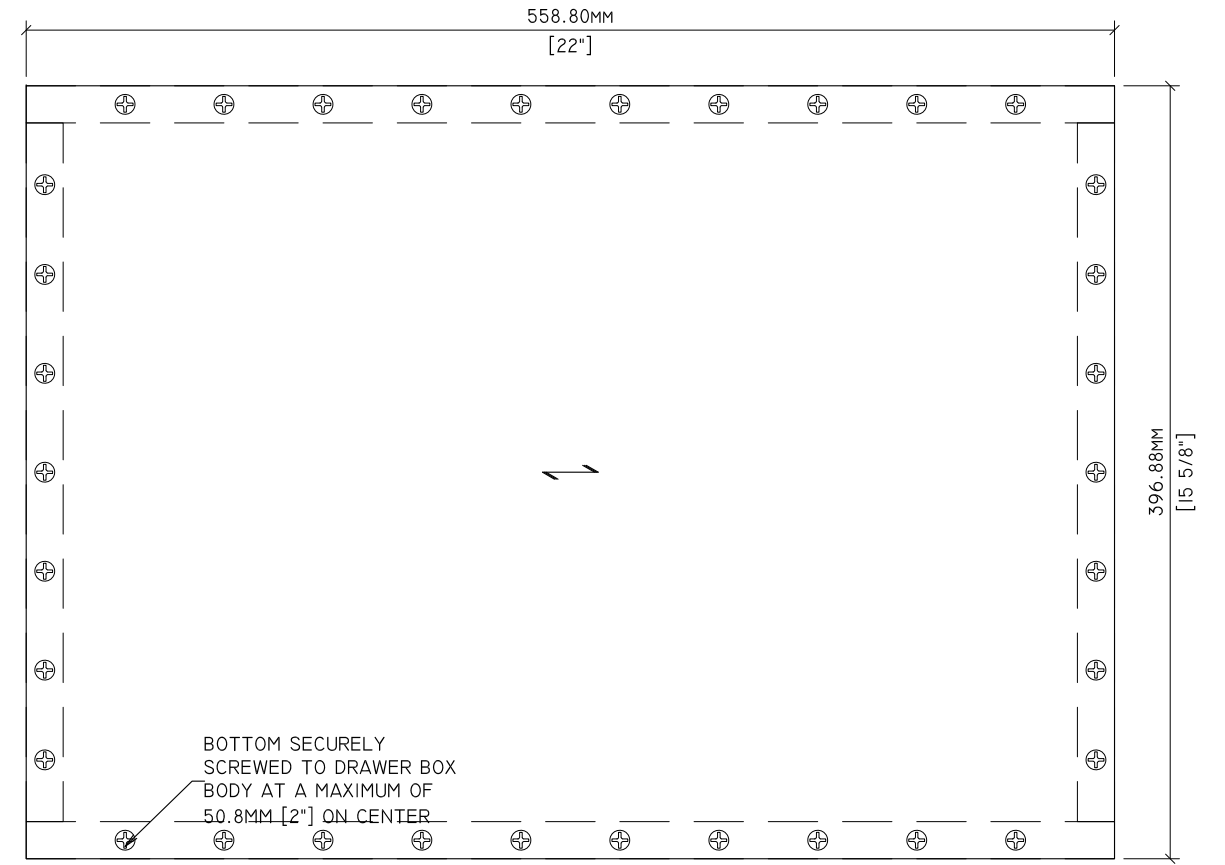
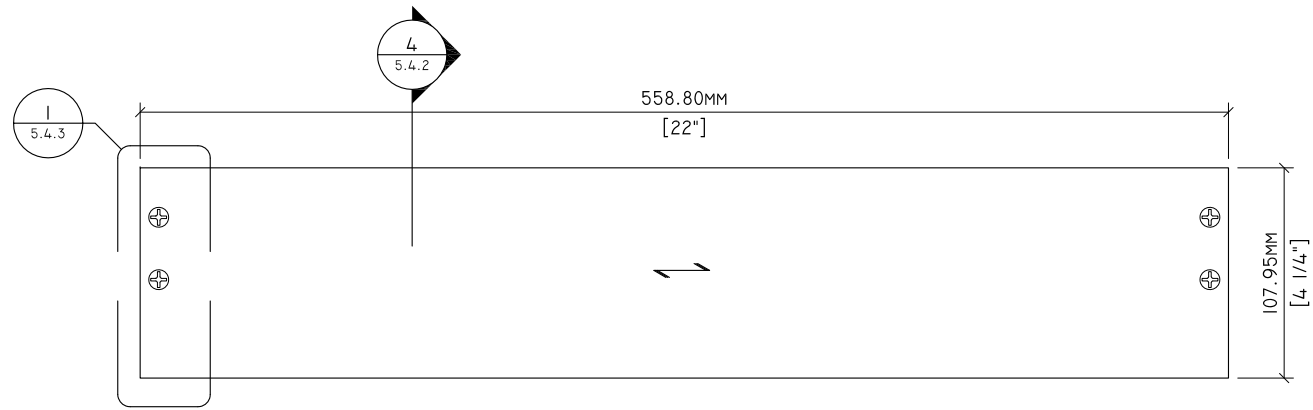


1
6.4.1 PLAN
3" = 1'-0"

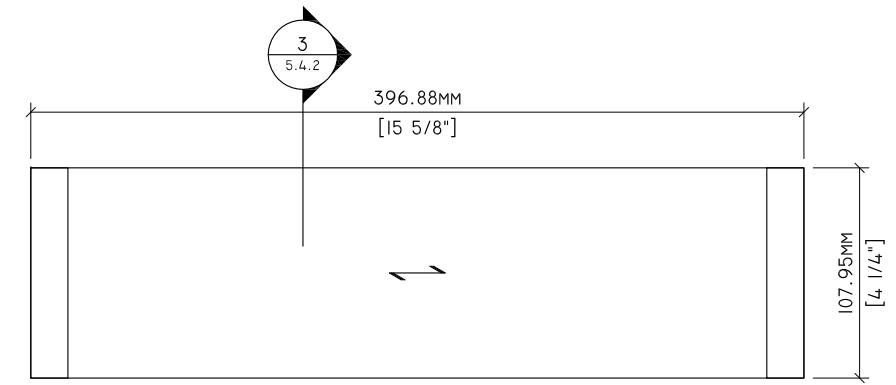


2
6.4.1 PLAN - BOTTOM
3" = 1'-0"

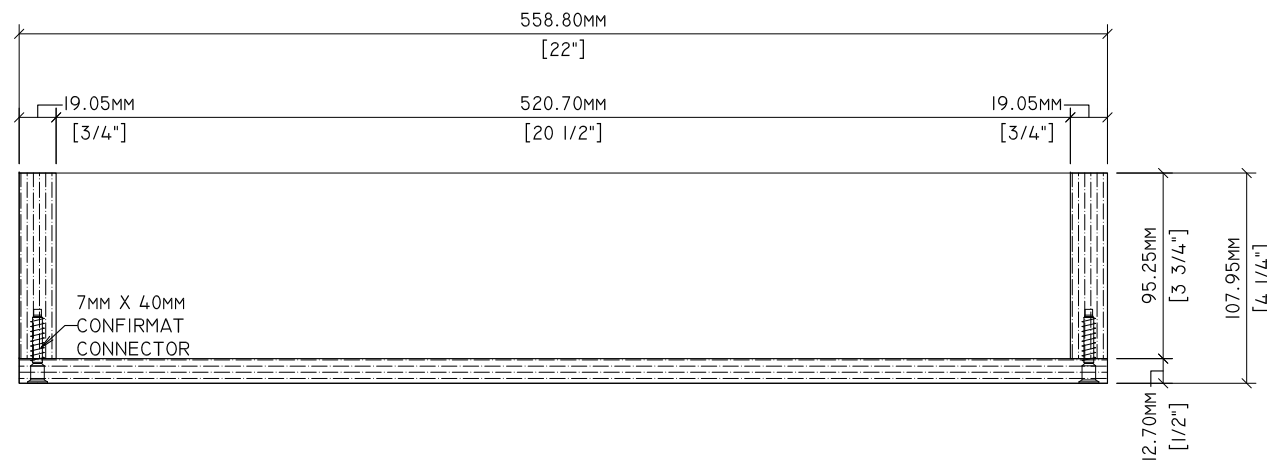
Drawn By:	HD	REVISIONS		SPECIMEN DWG. NO.: 6.4.1
Reviewed By:	-	①	-	JOINERY METHOD NO.: CONFIRMAT
Revised By:	-HKM	②	-7/30/2020	SPECIMEN MATERIAL: 3/4" VENEER CORE
Revised By:	-	③	-	BATCH QUANTITY: N/A
Approved By:	-	④	-	SCALE: AS NOTED



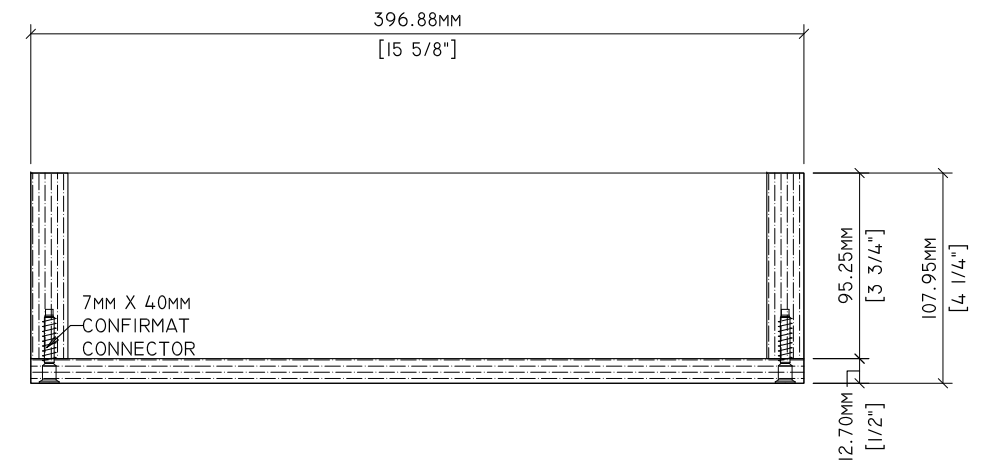
1
6.4.2 ELEVATION
3" = 1'-0"



2
6.4.2 ELEVATION
3" = 1'-0"

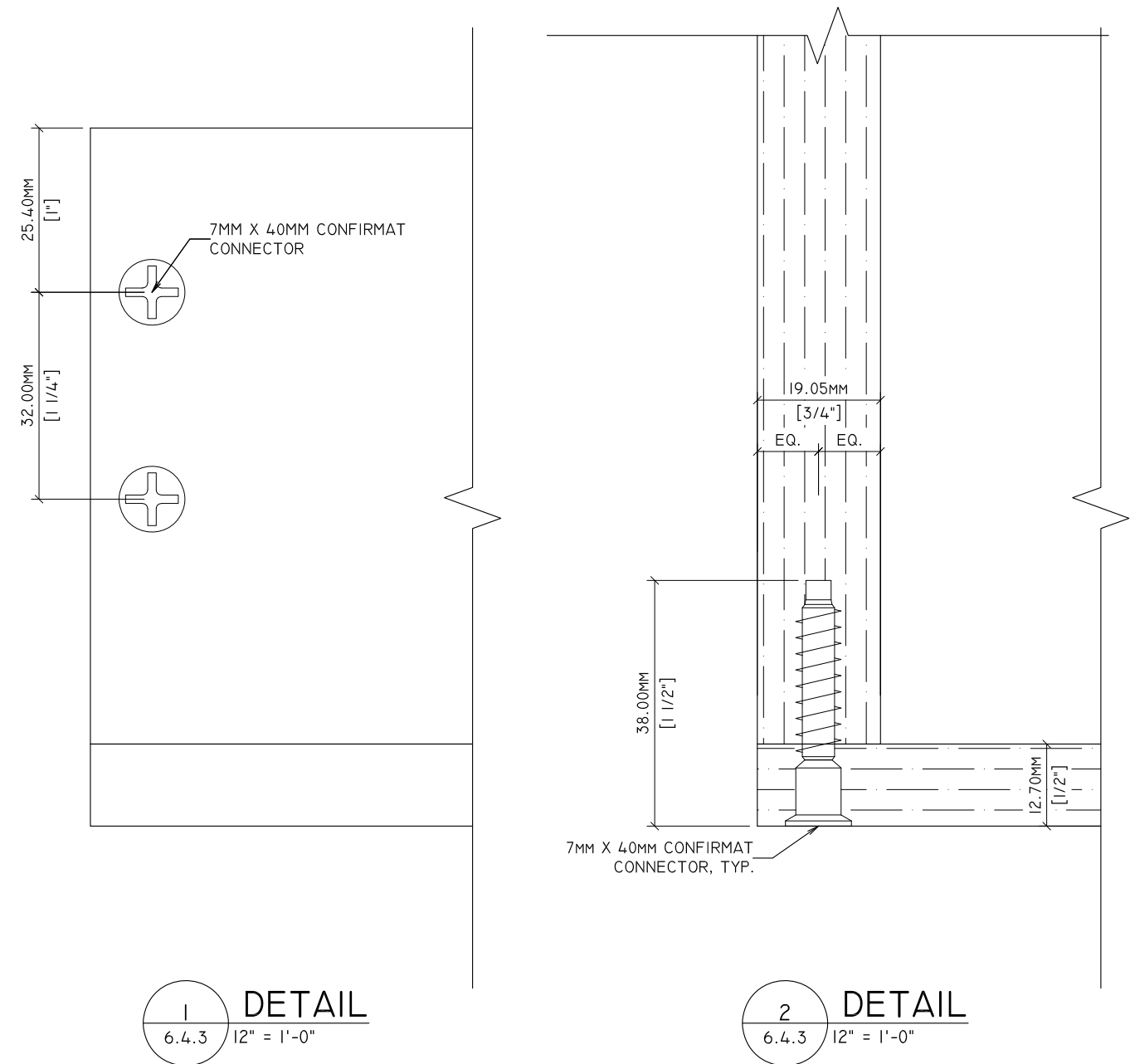


3
6.4.2 SECTION
3" = 1'-0"



4
6.4.2 SECTION
3" = 1'-0"

Drawn By:	HD	REVISIONS		SPECIMEN DWG. NO.: 6.4.2
Reviewed By:	-	①	-	JOINERY METHOD NO.: CONFIRMAT
Revised By:	-HKM	②	-7/30/2020	SPECIMEN MATERIAL: 3/4 VENEER CORE
Revised By:	-	③	-	BATCH QUANTITY: N/A
Approved By:	-	④	-	SCALE: AS NOTED



Drawn By:	HD	REVISIONS		SPECIMEN DWG. NO.: 6.4.3
Reviewed By:	-	①	-	JOINERY METHOD NO.: CONFIRMAT
Revised By:	-HKM	②	-7/30/2020	SPECIMEN MATERIAL: 3/4" VENEER CORE
Revised By:	-	③	-	BATCH QUANTITY: N/A
Approved By:	-	④	-	SCALE: AS NOTED