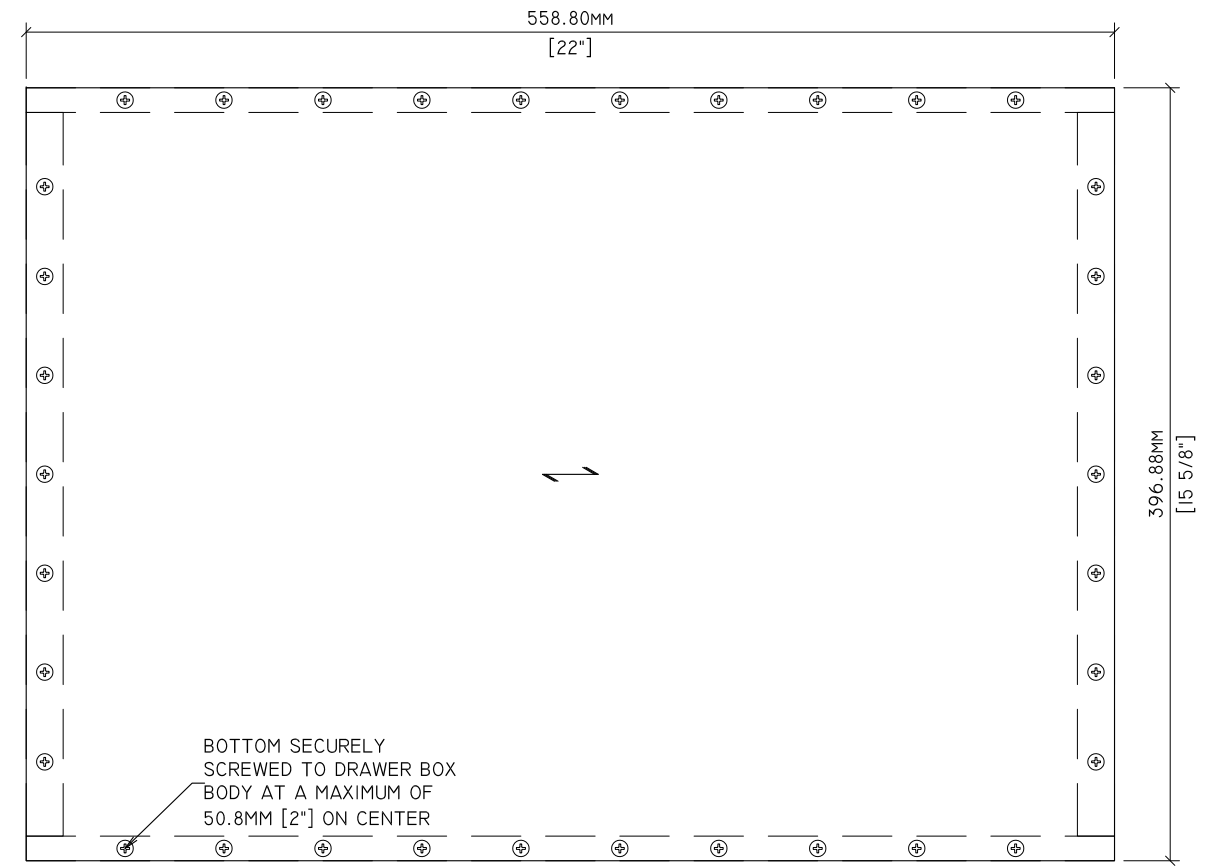
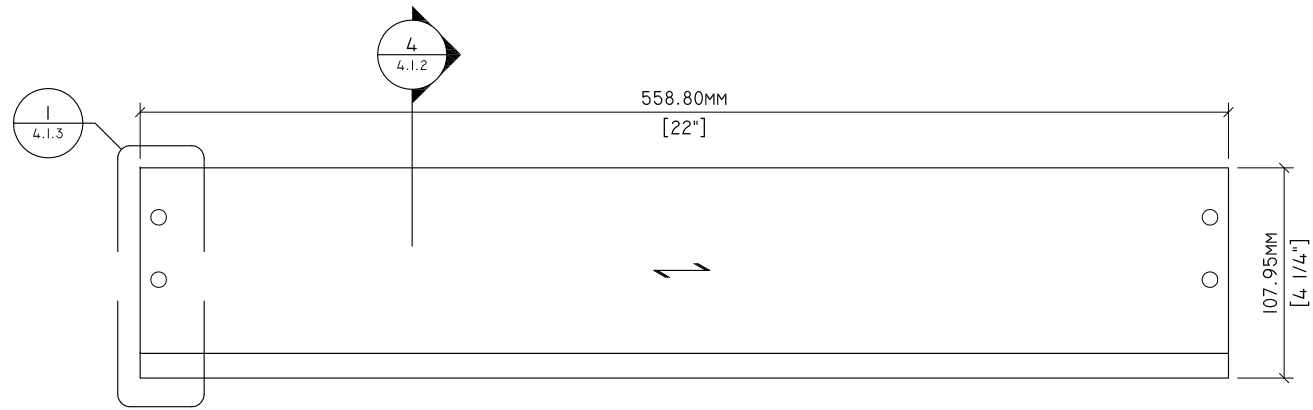


1  
4.1.1 PLAN  
3" = 1'-0"

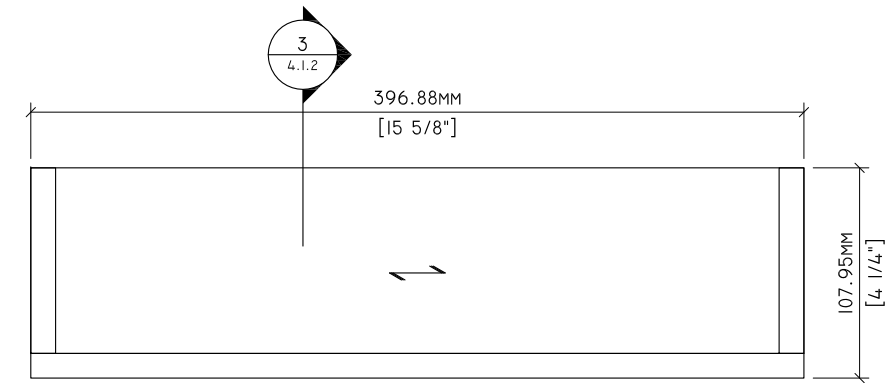


2  
4.1.1 PLAN - BOTTOM  
3" = 1'-0"

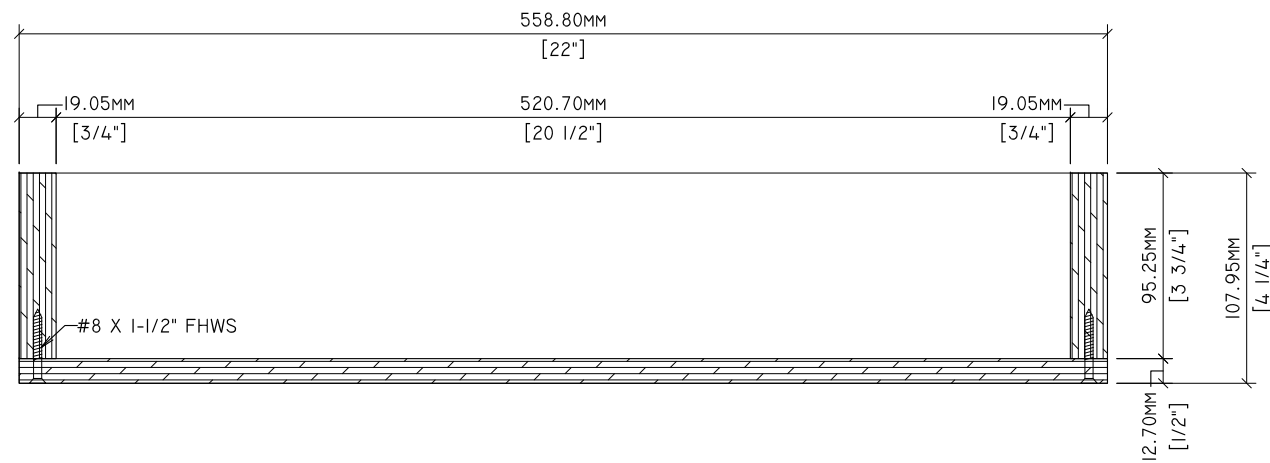
Drawn By:	HD	<b>REVISIONS</b>		SPECIMEN DWG. NO.: 4.1.1
Reviewed By:	-	①	-	JOINERY METHOD NO.: 8MM DOWEL
Revised By:	-HKM	②	-7/30/2020	SPECIMEN MATERIAL: 3/4" & 1/2" M2 PARTICLE BOARD
Revised By:	-	③	-	BATCH QUANTITY: N/A
Approved By:	-	④	-	SCALE: AS NOTED



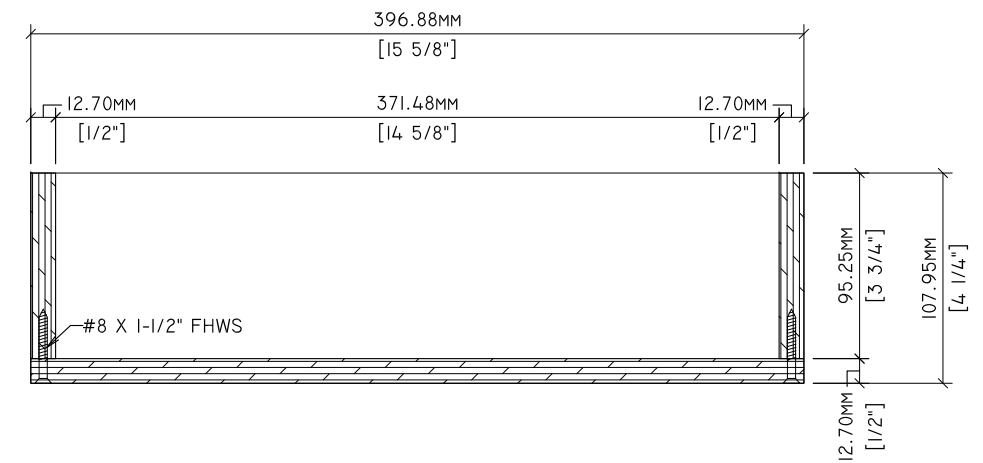
1  
4.1.2  
ELEVATION  
3" = 1'-0"



2  
4.1.2  
ELEVATION  
3" = 1'-0"

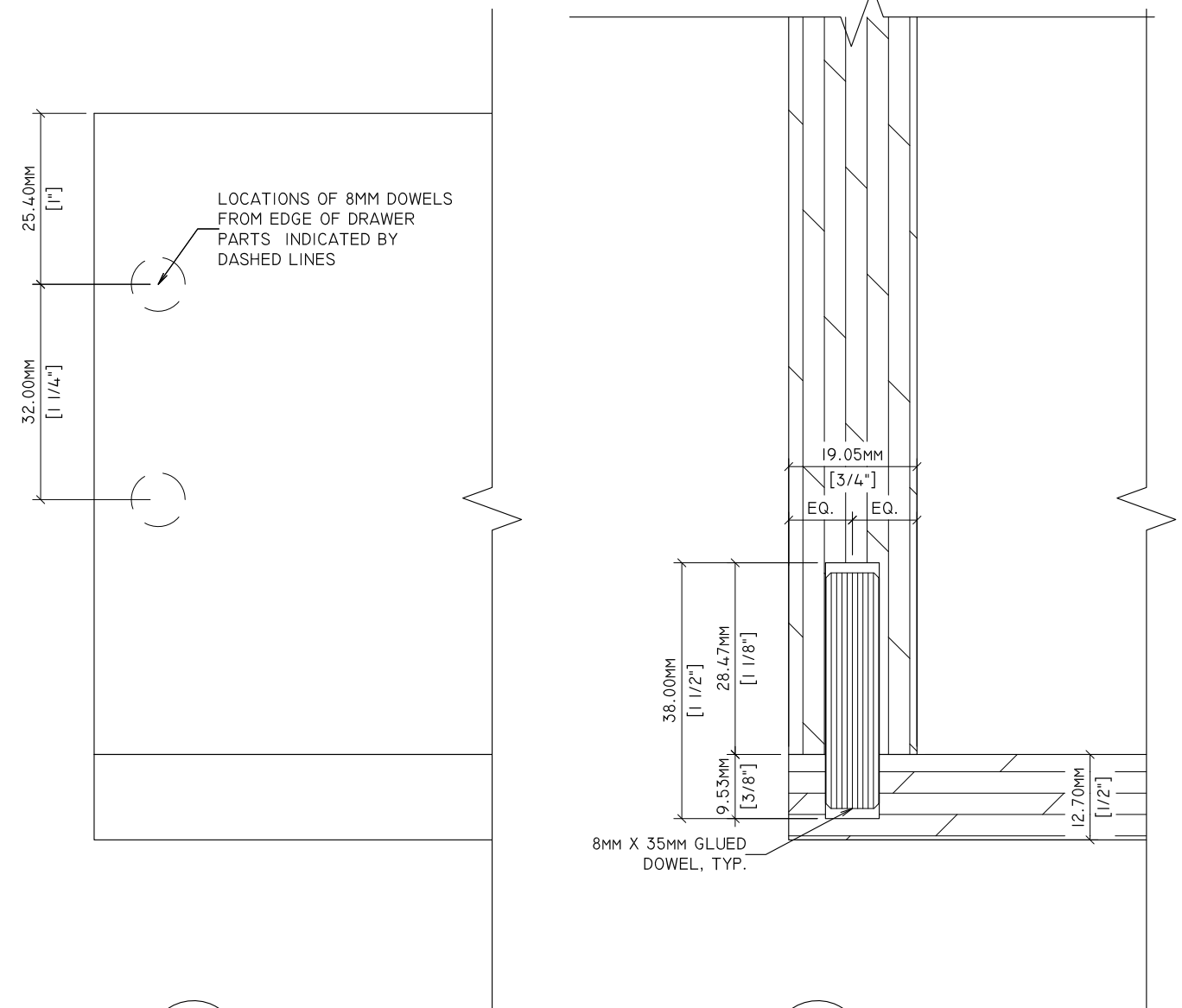


3  
4.1.2  
SECTION  
3" = 1'-0"



4  
4.1.2  
SECTION  
3" = 1'-0"

Drawn By:	HD	<b>REVISIONS</b>		SPECIMEN DWG. NO.: 4.1.2
Reviewed By:	-	①	-	JOINERY METHOD NO.: 8MM
Revised By:	-HKM	②	-7/30/2020	SPECIMEN MATERIAL: 3/4" & 1/2" M2 PARTICLE BOARD
Revised By:	-	③	-	BATCH QUANTITY: N/A
Approved By:	-	④	-	SCALE: AS NOTED



1  
4.1.3 12" = 1'-0"

2  
4.1.3 12" = 1'-0"



**Standards Development and Performance Testing**  
 1310 Southerfield Road  
 Americus, GA 31709

Drawn By:	HD	<b>REVISIONS</b>		SPECIMEN DWG. NO.: 4.1.3
Reviewed By:	-	①	-	JOINERY METHOD NO.: 8MM DOWEL
Revised By:	-HKM	②	-7/30/2020	SPECIMEN MATERIAL: 3/4" & 1/2" M2 PARTICLE BOARD
Revised By:	-	③	-	BATCH QUANTITY: N/A
Approved By:	-	④	-	SCALE: AS NOTED