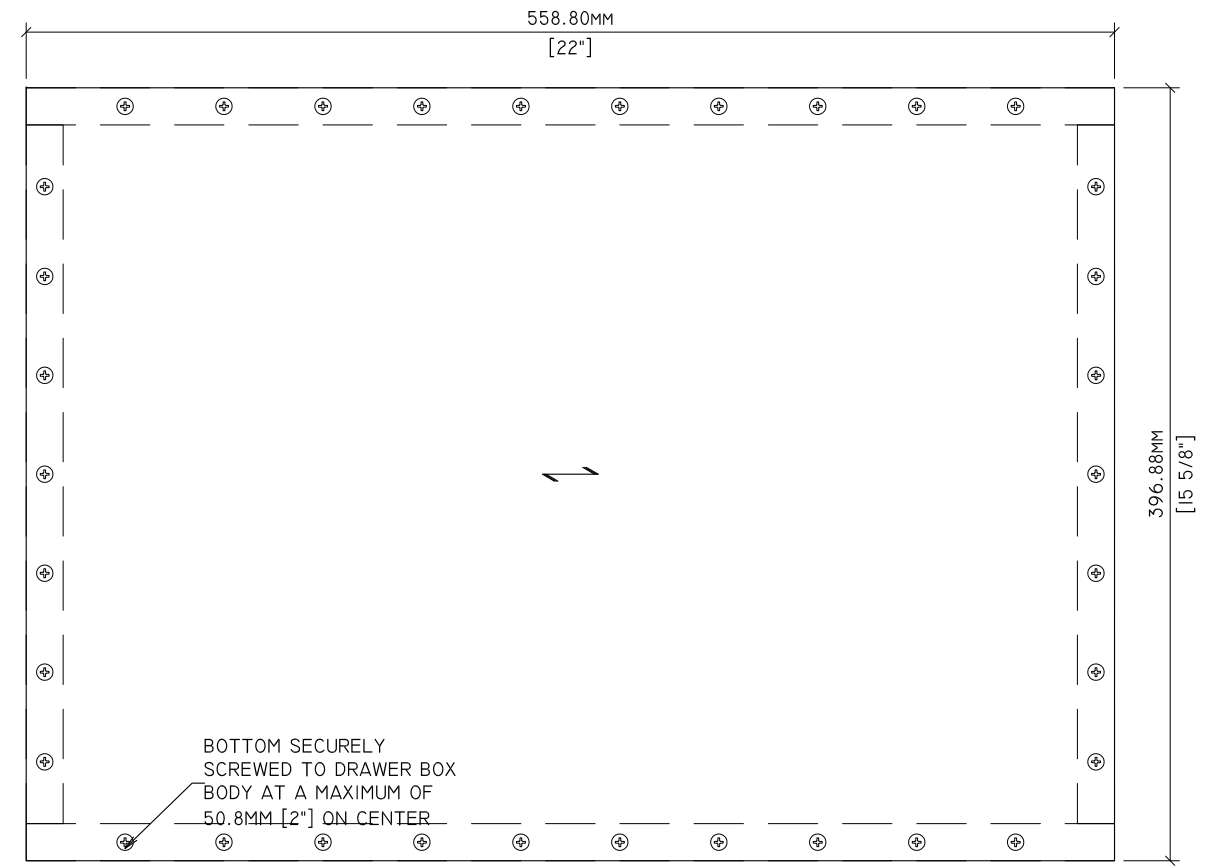
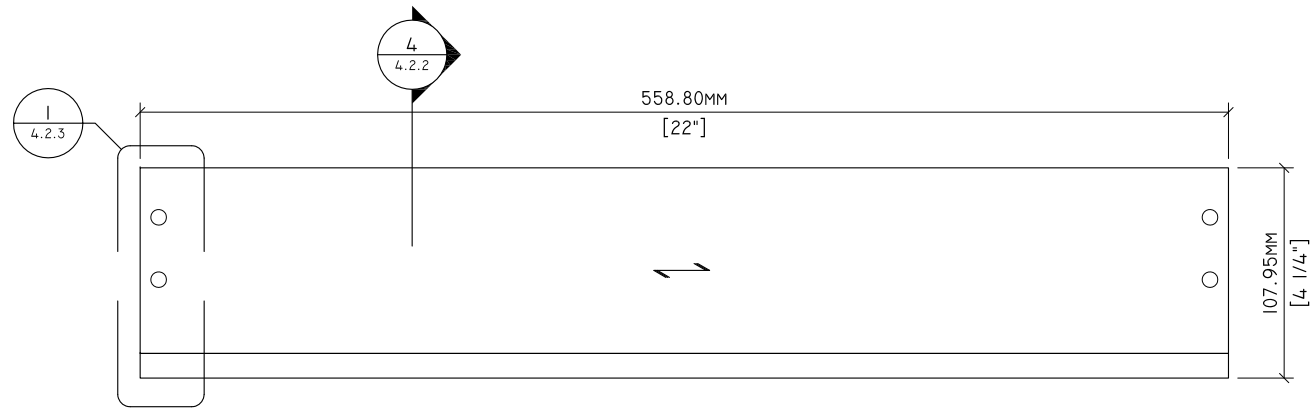


1  
4.2.1  
PLAN  
3" = 1'-0"

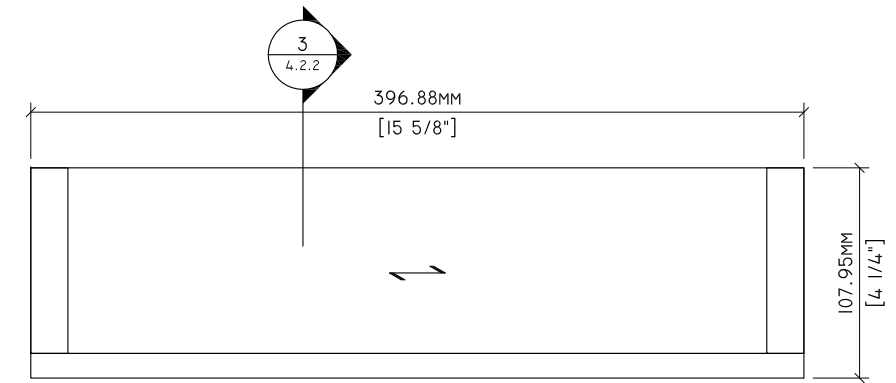


2  
4.2.1  
PLAN - BOTTOM  
3" = 1'-0"

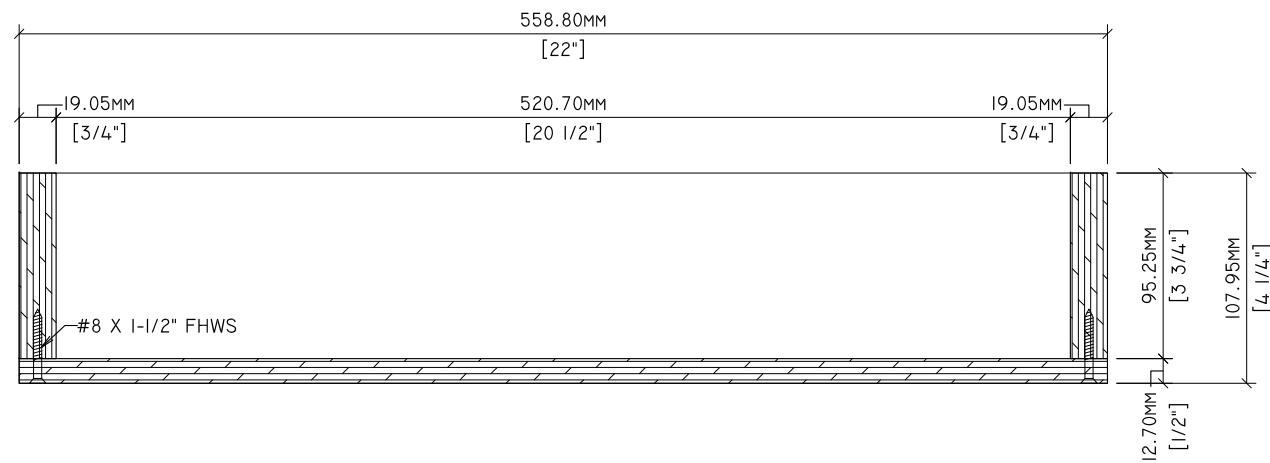
Drawn By:	HD	<b>REVISIONS</b>		SPECIMEN DWG. NO.: 4.2.1
Reviewed By:	-	①	-	JOINERY METHOD NO.: 8MM DOWEL
Revised By:	-HKM	②	-7/30/2020	SPECIMEN MATERIAL: 3/4" M2 PARTICLE BOARD
Revised By:	-	③	-	BATCH QUANTITY: N/A
Approved By:	-	④	-	SCALE: AS NOTED



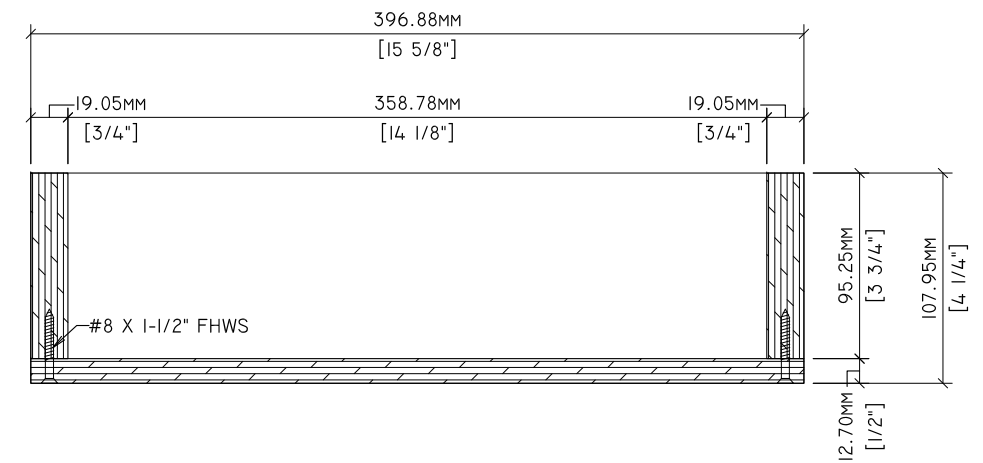
1  
4.2.2  
ELEVATION  
3" = 1'-0"



2  
4.2.2  
ELEVATION  
3" = 1'-0"

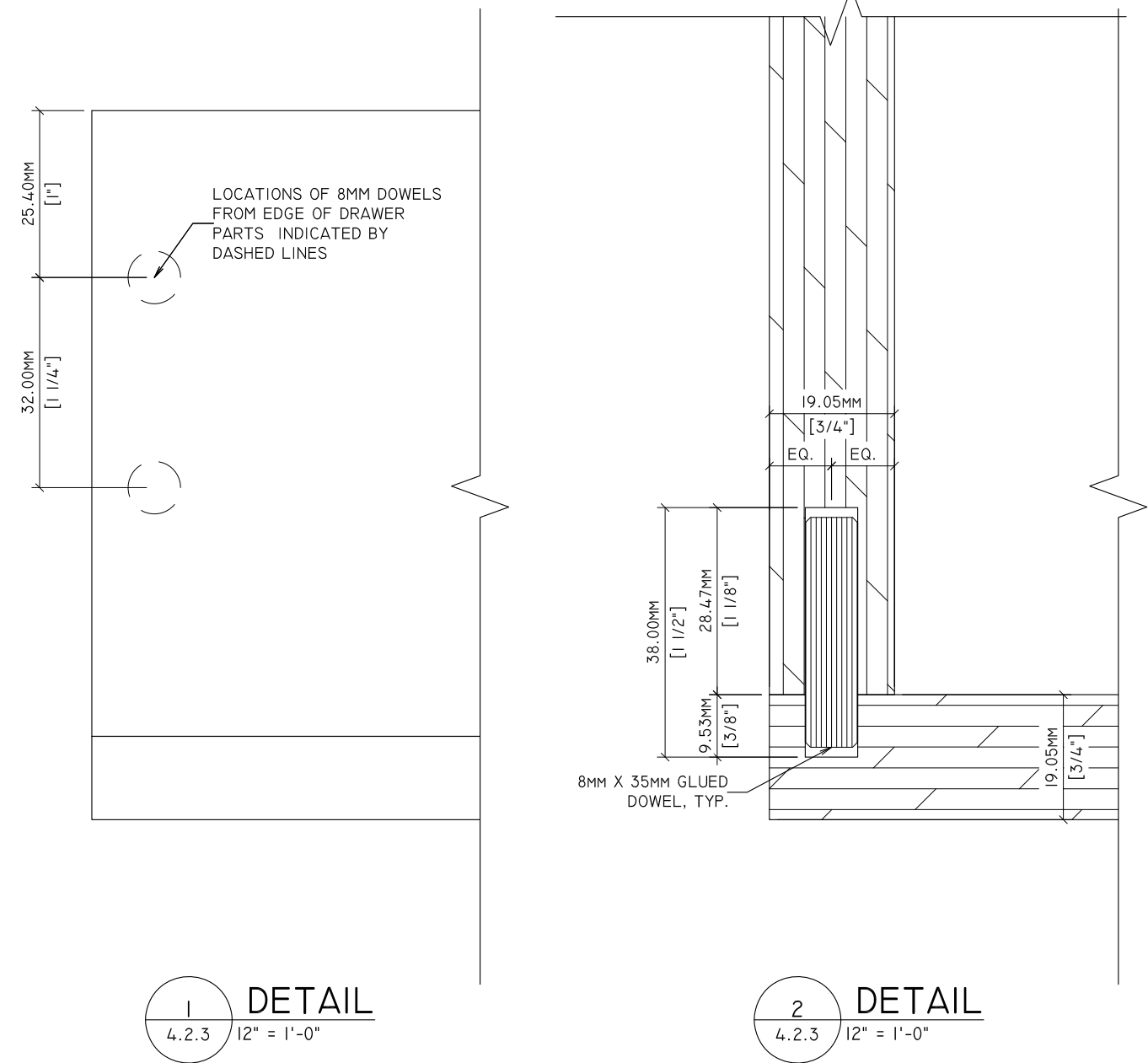


3  
4.2.2  
SECTION  
3" = 1'-0"



4  
4.2.2  
SECTION  
3" = 1'-0"

Drawn By:	HD	<b>REVISIONS</b>		SPECIMEN DWG. NO.: 4.2.2
Reviewed By:	-	①	-	JOINERY METHOD NO.: 8MM DOWEL
Revised By:	-HKM	②	-7/30/2020	SPECIMEN MATERIAL: 3/4" M2 PARTICLE BOARD
Revised By:	-	③	-	BATCH QUANTITY: N/A
Approved By:	-	④	-	SCALE: AS NOTED



**Standards Development and Performance Testing**  
 1310 Southerfield Road  
 Americus, GA 31709

Drawn By:	HD	<b>REVISIONS</b>		SPECIMEN DWG. NO.: 4.2.3
Reviewed By:	-	①	-	JOINERY METHOD NO.: 8MM DOWEL
Revised By:	-HKM	②	-7/30/2020	SPECIMEN MATERIAL: 3/4" M2 PARTICLE BOARD
Revised By:	-	③	-	BATCH QUANTITY: N/A
Approved By:	-	④	-	SCALE: AS NOTED