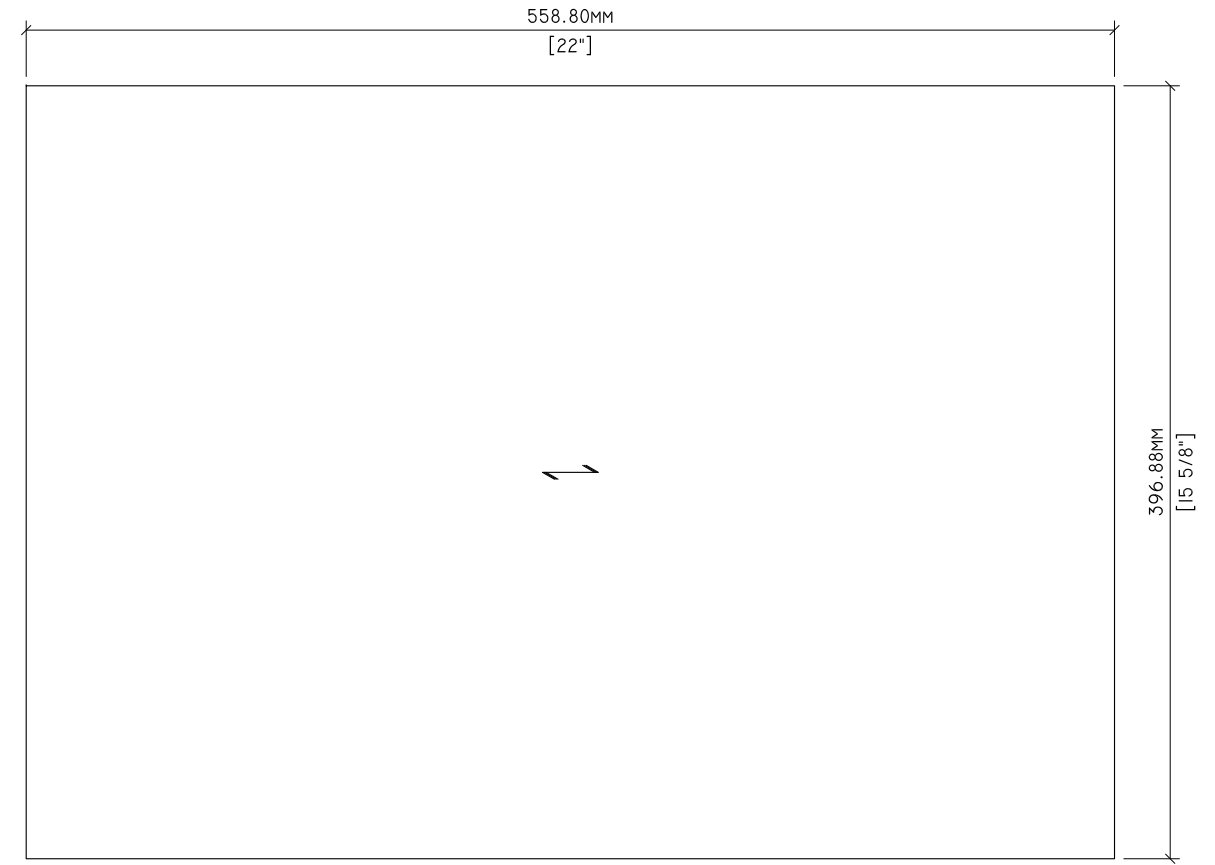
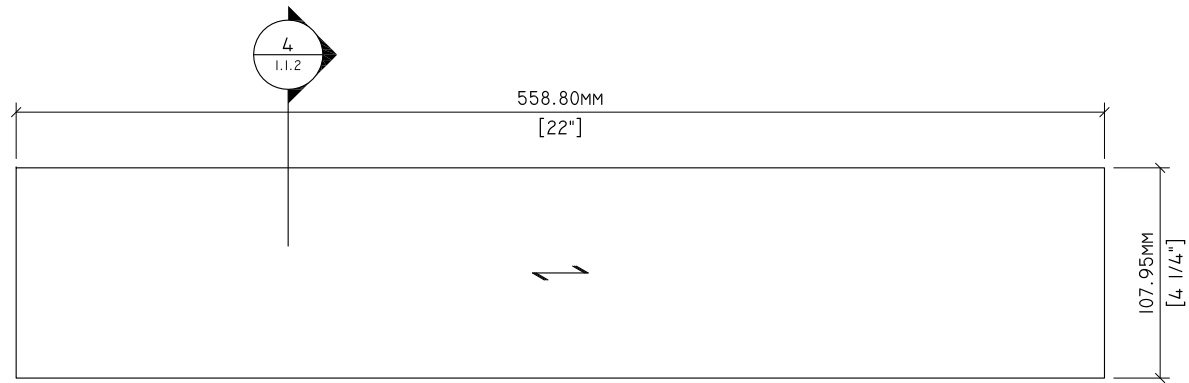


1
1.1.1
PLAN
3" = 1'-0"

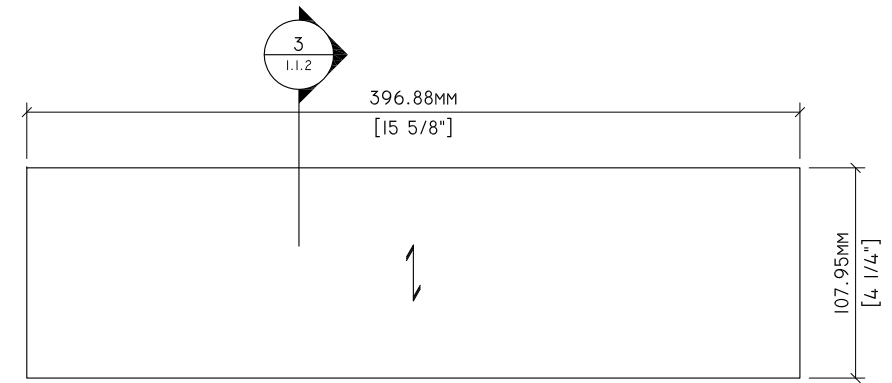


2
1.1.1
PLAN - BOTTOM
3" = 1'-0"

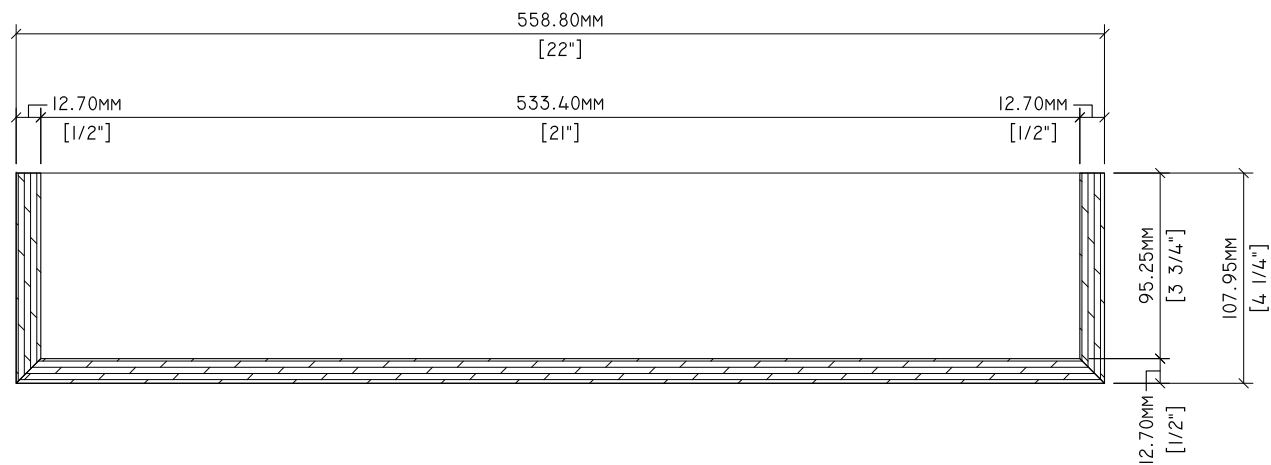
Drawn By:	HD	REVISIONS		SPECIMEN DWG. NO.: 1.1.1
Reviewed By:	-	①	-	JOINERY METHOD NO.: MITER FOLD
Revised By:	-HKM	②	-7/30/2020	SPECIMEN MATERIAL: 1/2" M2 PARTICLE BOARD
Revised By:	-	③	-	BATCH QUANTITY: N/A
Approved By:	-	④	-	SCALE: AS NOTED



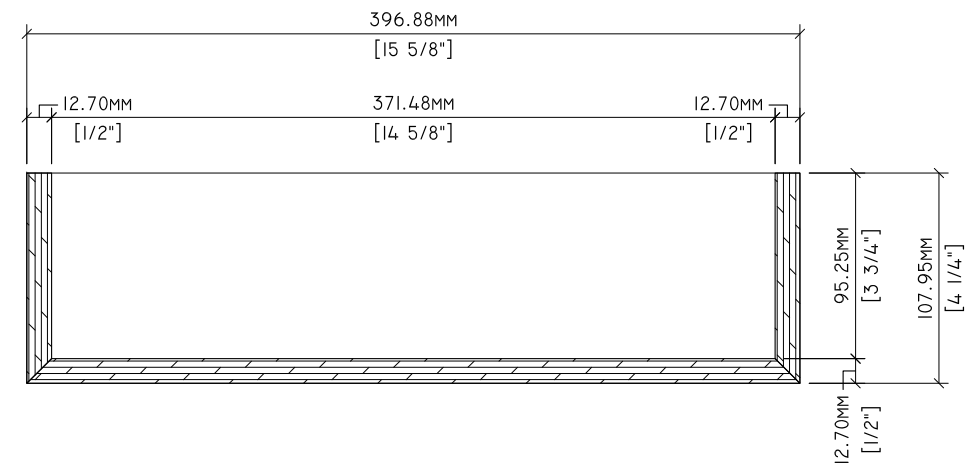
1 ELEVATION
1.1.2 3" = 1'-0"



2 ELEVATION
1.1.2 3" = 1'-0"



3 SECTION
1.1.2 3" = 1'-0"



4 SECTION
1.1.2 3" = 1'-0"



Standards Development and Performance Testing
1310 Southerfield Road
Americus, GA 31709

Drawn By:	HD	REVISIONS		SPECIMEN DWG. NO.: 1.1.2
Reviewed By:	-	①	-	JOINERY METHOD NO.: MITER FOLD
Revised By:	-HKM	②	-7/30/2020	SPECIMEN MATERIAL: 1/2" M2 PARTICLE BOARD
Revised By:	-	③	-	BATCH QUANTITY: N/A
Approved By:	-	④	-	SCALE: AS NOTED