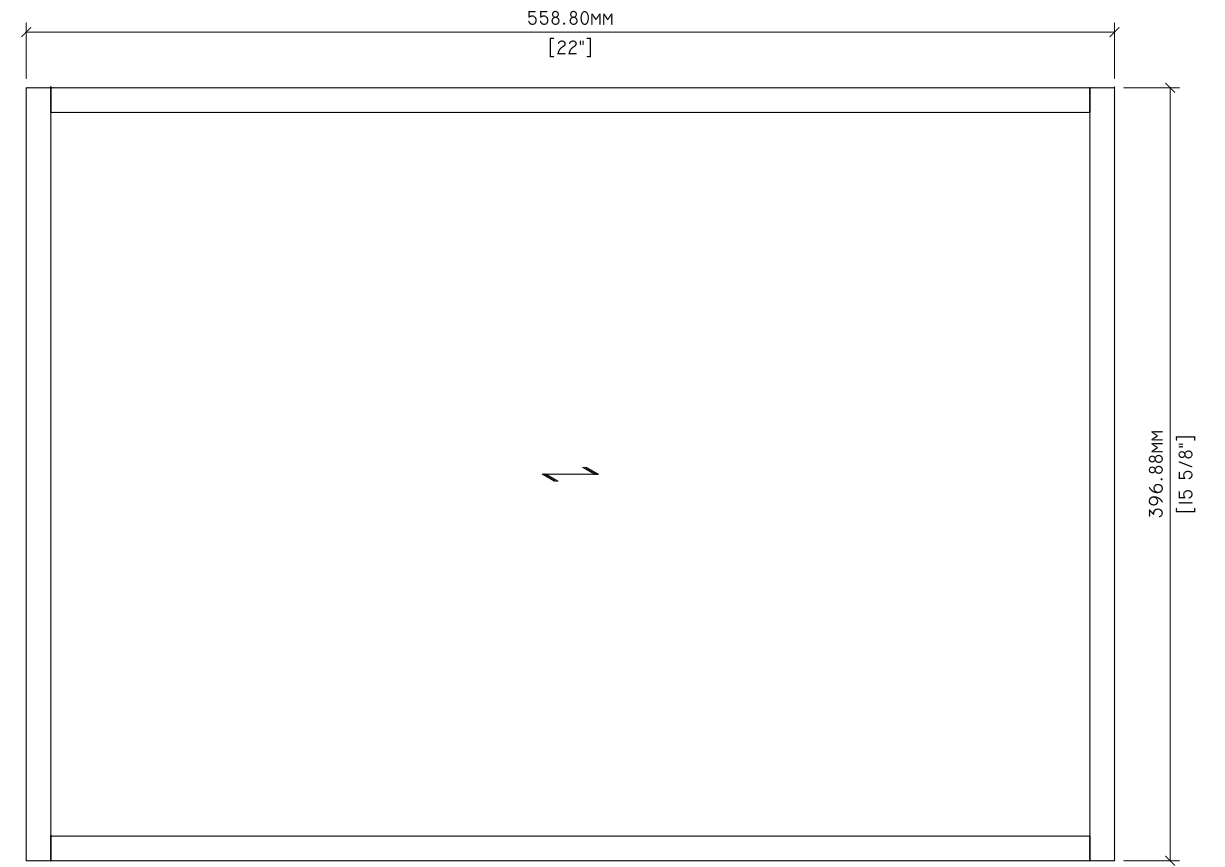
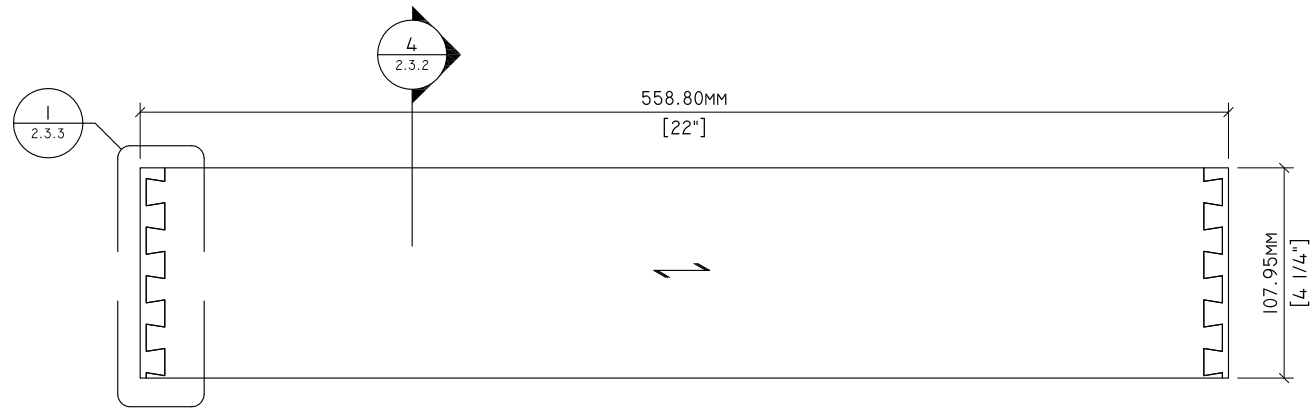


1
2.3.1
PLAN
3" = 1'-0"

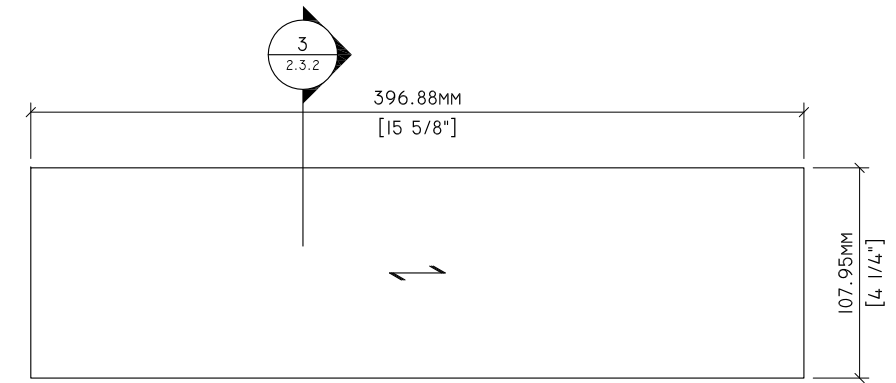


2
2.3.1
PLAN - BOTTOM
3" = 1'-0"

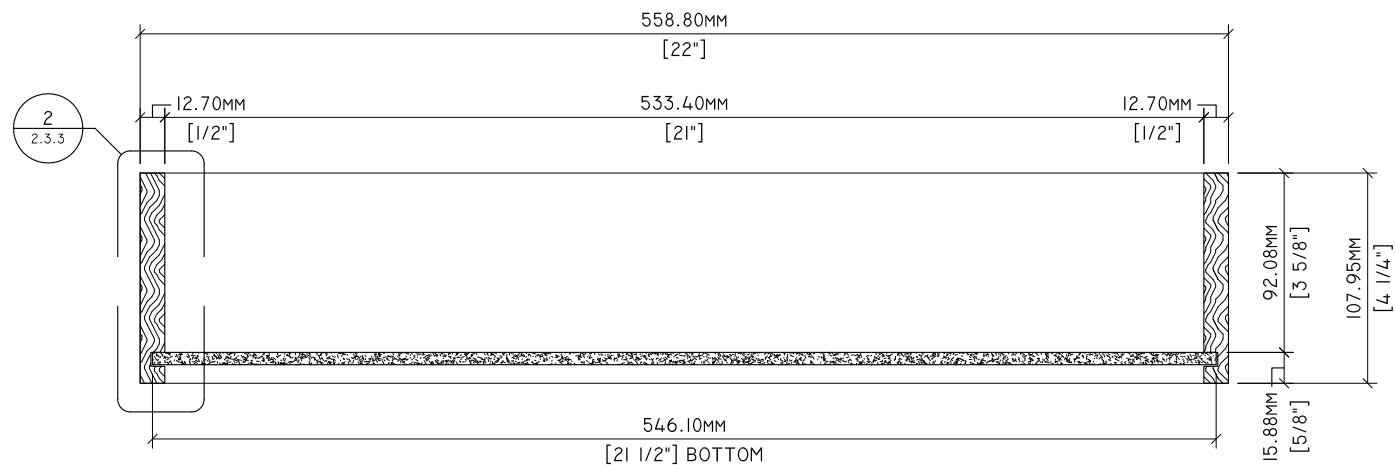
Drawn By:	HD	REVISIONS		SPECIMEN DWG. NO.: 2.3.1
Reviewed By:	-	①	-	JOINERY METHOD NO.: DOVETAIL
Revised By:	-HKM	②	-7/30/2020	SPECIMEN MATERIAL: 1/2" HARDWOOD
Revised By:	-	③	-	BATCH QUANTITY: N/A
Approved By:	-	④	-	SCALE: AS NOTED



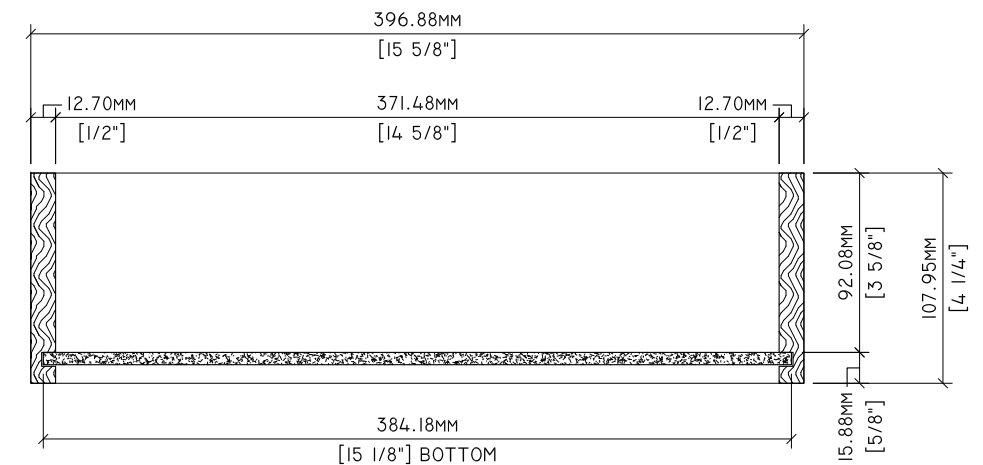
1 ELEVATION
2.3.2 3" = 1'-0"



2 ELEVATION
2.3.2 3" = 1'-0"

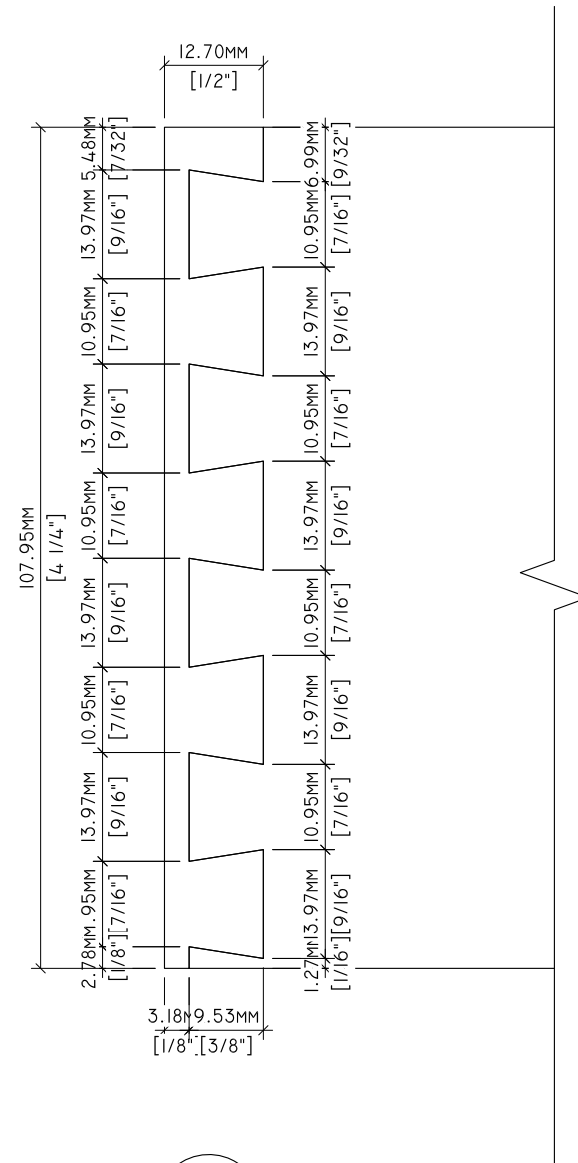


3 SECTION
2.3.2 3" = 1'-0"

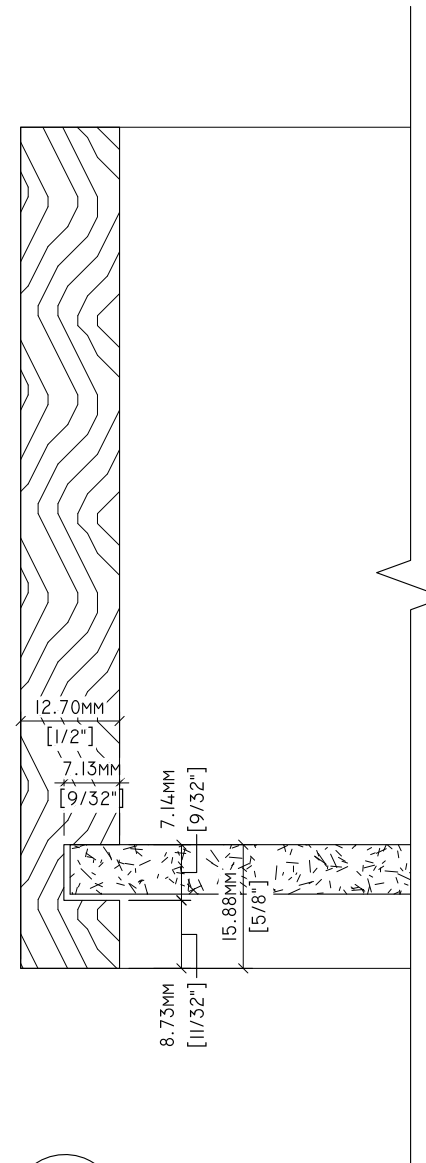


4 SECTION
2.3.2 3" = 1'-0"

Drawn By:	HD	REVISIONS		SPECIMEN DWG. NO.: 2.3.2
Reviewed By:	-	①	-	JOINERY METHOD NO.: DOVETAIL
Revised By:	-HKM	②	-7/30/2020	SPECIMEN MATERIAL: 1/2" HARDWOOD
Revised By:	-	③	-	BATCH QUANTITY: N/A
Approved By:	-	④	-	SCALE: AS NOTED



1
2.3.3 12" = 1'-0"



2
2.3.3 12" = 1'-0"

Drawn By:	HD	REVISIONS		SPECIMEN DWG. NO.: 2.3.3
Reviewed By:	-	①	-	JOINERY METHOD NO.: DOVETAIL
Revised By:	-HKM	②	-7/30/2020	SPECIMEN MATERIAL: 1/2" HARDWOOD
Revised By:	-	③	-	BATCH QUANTITY: N/A
Approved By:	-	④	-	SCALE: AS NOTED